

BRAUN

MultiQuick 9



Instructions

Type 4200

Register your product
www.braunhousehold.com/register

MQ 9097x

IMPORTANT SAFEGUARDS

When using electrical appliances, basic safety precautions should always be followed to reduce the risk of fire, electric shock and/or injury to persons, including the following:

READ ALL INSTRUCTIONS.

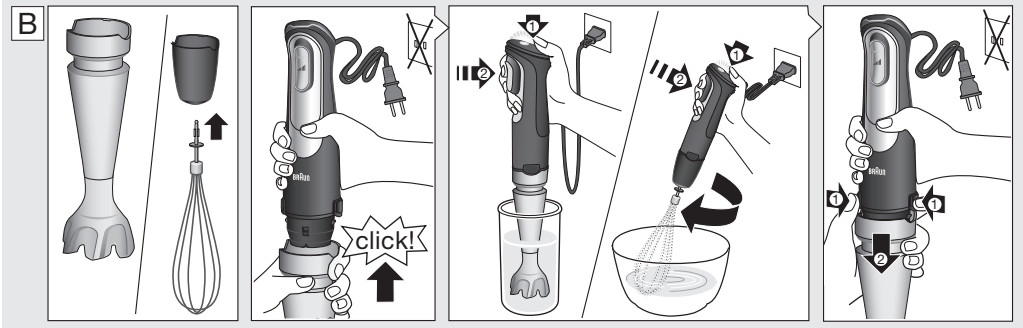
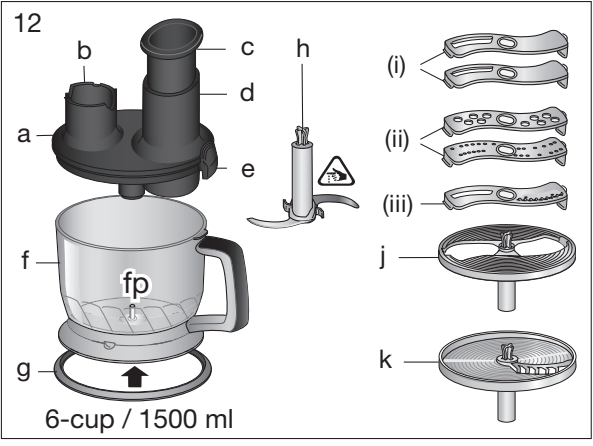
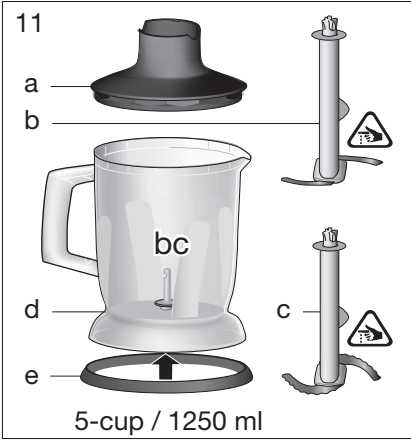
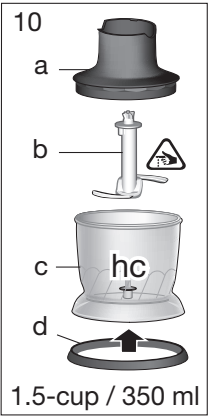
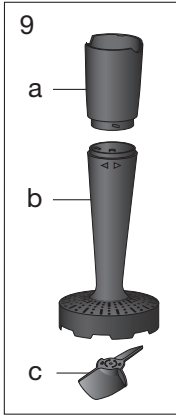
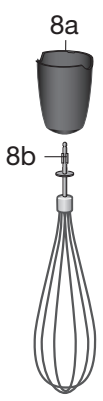
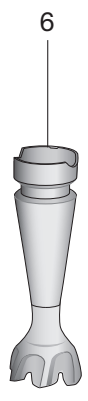
1. **Blades are sharp. Handle carefully when removing, inserting or cleaning. Exercise the same care when removing, inserting the chopping blade or disc for the food processor and chopper accessories. Always verify that the accessory enclosure is free of cracks or other damages.**
2. The appliance is not intended for use by persons (including children) with reduced physical, sensory or mental capabilities, or lack of experience and knowledge, unless they have been given supervision or instructions concerning use of the appliance by a person responsible for their safety.
3. Remove any packaging materials and promotional labels before using the appliance for the first time.
4. Unplug from outlet when not in use, before putting on or taking off parts, and before cleaning. To unplug, grasp plug and pull from electrical outlet. Never pull cord.
5. To protect against electrical shock, do not put the motor body, cord or electrical plug of this hand blender in water or other liquids. Only the detachable blending shaft and other certain parts of this appliance have been designed for immersion into water or other liquids. Never submerge any other part of this unit. If hand blender falls into liquid, unplug first, then remove immediately. Do not reach into the liquid without unplugging the unit first.
6. The use of attachments/accessories not sold or recommended by Braun may cause fire, electrical shock or risk of injuries to persons.
7. Regularly inspect the power cord, power plug and actual appliance for any damage. Do not operate if damaged in any way or after the appliance malfunctions. Immediately cease use of the appliance and call Braun Customer Service for examination, repair or adjustment.
8. Avoid any contact with blades or moveable parts.
9. Do not use outdoors or for anything other than its intended purpose.
10. Keep hands and utensils out of the container while blending to prevent the possibility of severe injury to persons or damage to the unit. A scraper may be used, but must be used only when the unit is not running.
11. Detach blending shaft from the motor body before washing the blades or shaft.
12. When mixing liquids, especially hot liquids, use a tall container or make small quantities at a time to reduce spillage, splattering and possibility of injury from burning.
13. The metal blending shaft and whisk may scratch or mark non-stick coatings. Do not use in non-stick cookware.
14. Be certain the food processor attachment cover is securely locked in place before operating appliance. Do not attempt to remove cover until blade has stopped rotating.
15. Check work bowl for presence of foreign objects before using.
16. Do not let any cord hang over the edge of the table or counter. Do not let cord contact hot surfaces, including stovetop.
17. Maximum rating is based on the «bf» chopper (MQ 20 chopper «hc» + adapter) that draws the greatest power and other recommended attachments may draw significantly less power.

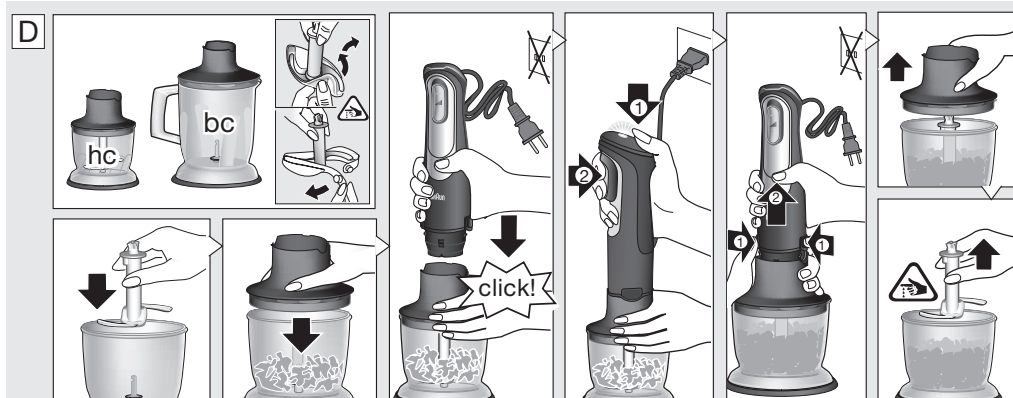
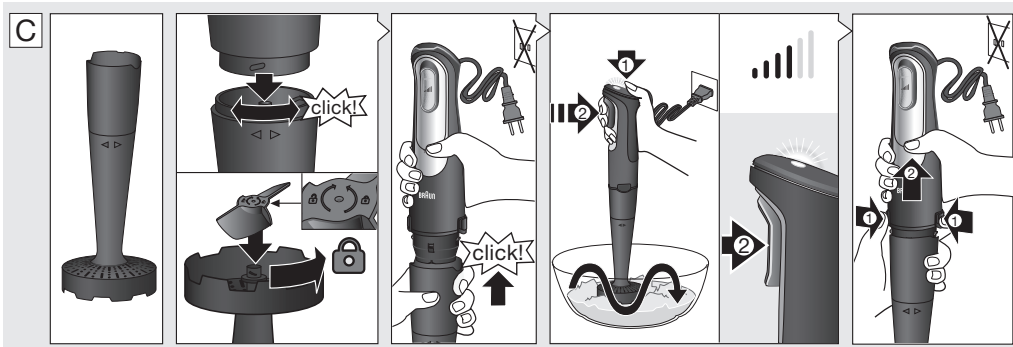
18. The bf chopper is intended for processing small quantities of food for immediate consumption, and is especially recommended for preparing baby food. The appliance is not intended to prepare large quantities of food at one time.
19. Double-blade knife is sharp. Handle carefully. Use extreme care when removing or replacing knife blade.
20. Bowl must be in place before replacing knife blades.
21. Do not operate your appliance in an appliance garage or under a wall cabinet.
22. We suggest you save all packing materials in the event that future shipping of the machine is needed. Keep all plastic bags away from children.
23. This appliance has a polarized plug (one blade is wider than the other).
To reduce the risk of electric shock, this plug will fit in a polarized outlet only one way. If the plug does not fit fully in the outlet, reverse the plug. If it still does not fit, contact a qualified electrician.
Do not modify the plug in any way.

SAVE THESE INSTRUCTIONS

FOR HOUSEHOLD USE ONLY

WARNING: RISK OF FIRE OR ELECTRIC SHOCK

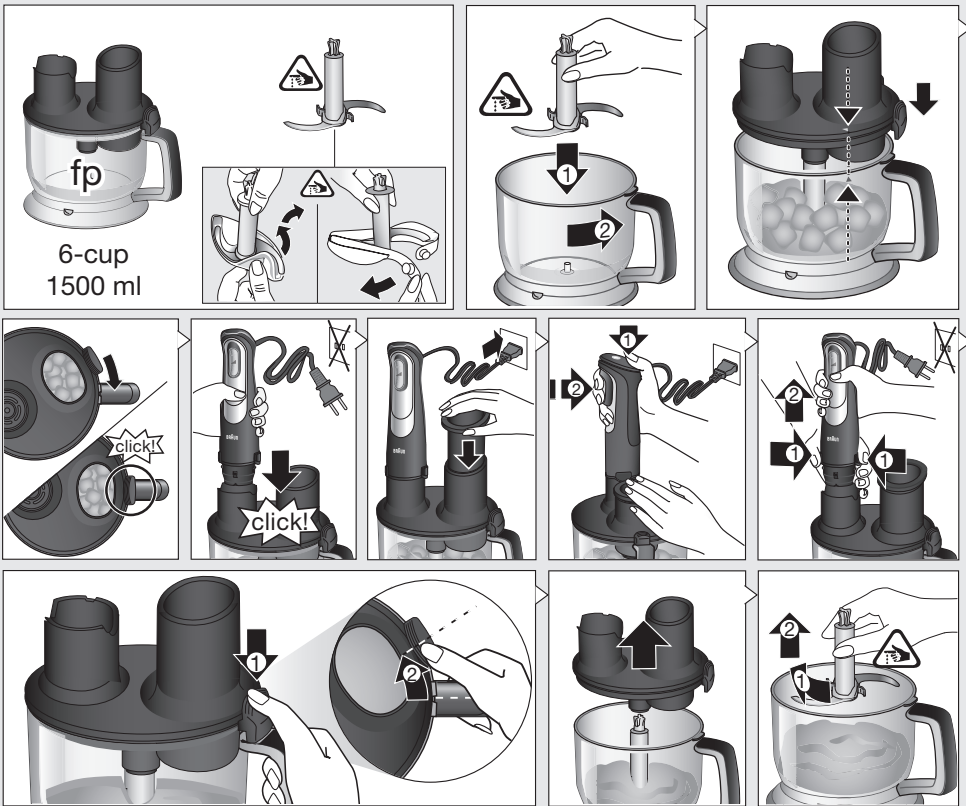




<p>1.5-cup 350 ml</p>		Parmesan							
		1 cm 0.4 inch							
	max.	80g 2.8 oz	10g 0.3 oz	90g+ 2.5 ml / 0.1 cup / 3oz+	50g 1.8 oz	7	80g 3 oz	80g 3 oz	100g 3.5 oz
	speed								

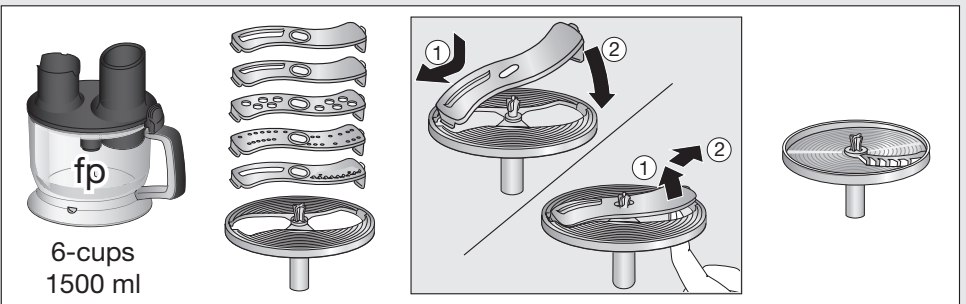
<p>5-cup 1250 ml</p>										
		1 cm 0.4 inch	1 cm 0.4 inch							
	max.	300g 10.5 oz	200g 7 oz	30g 1 oz	700ml/3cups + 150 g/5oz	250g 9 oz	30	250g 9 oz	300g 10.5 oz	300g 10.5 oz
	speed									

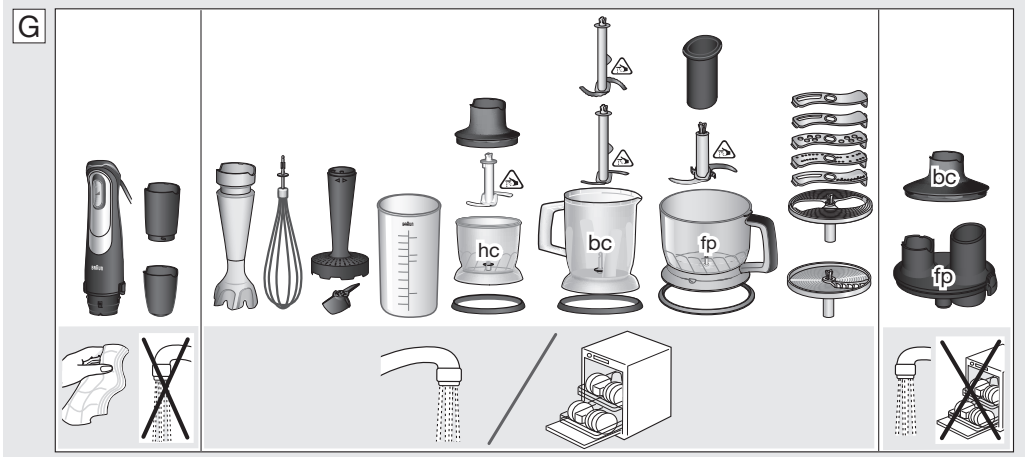
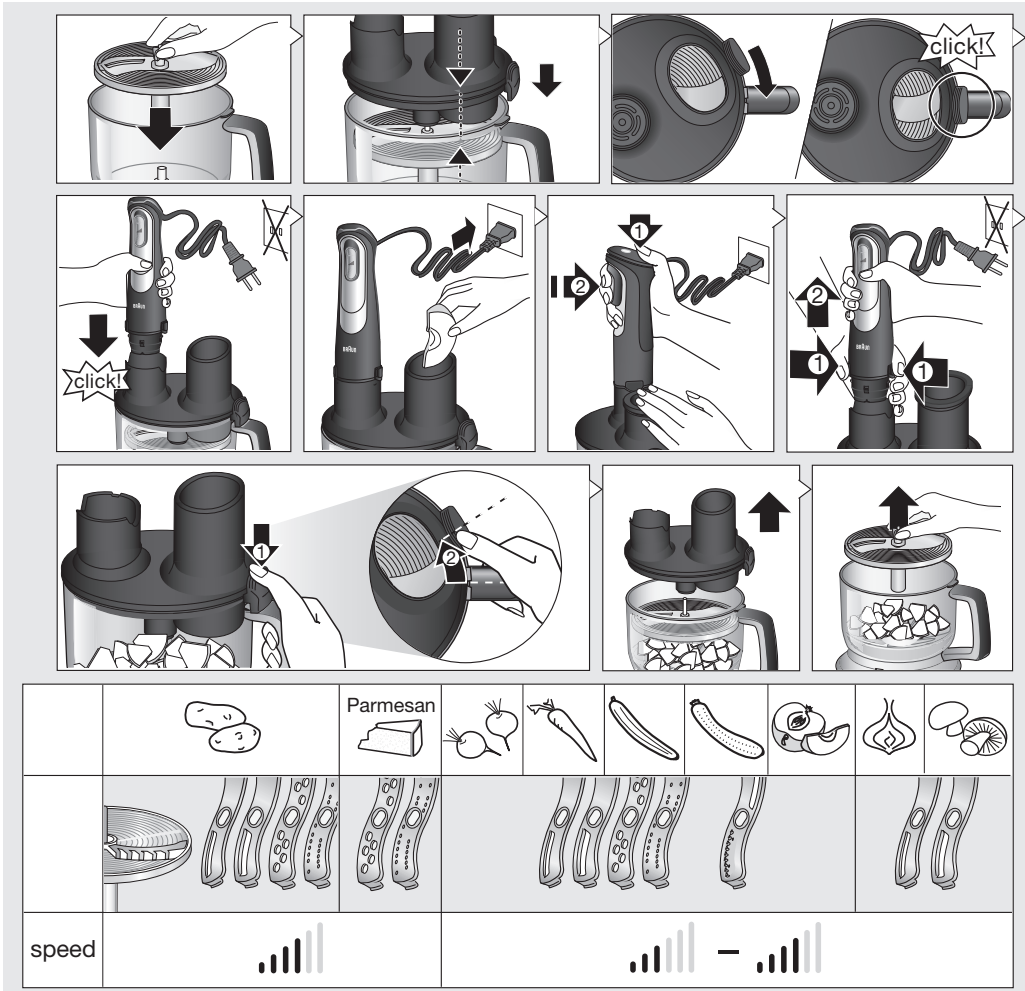
E



	1 cm 0.4 inch	1 cm 0.4 inch								
max.	400g 1.7 cups	400g 2.7 cups	30g 1 oz	30	400g 3 cups	400g 3 cups	400g 3 cups	400g 3 cups	400g 3 cups	400g 3.2 cups
speed										

F





English	9
Français	16
Español	23

De'Longhi Braun Household GmbH
Carl-Ulrich-Straße 4
63263 Neu-Isenburg/Germany

5722112674/04.17
MQ 9097x USCA
UK/FR/ES

8





English

Our products are engineered to meet the highest standards of quality, functionality and design. We hope you thoroughly enjoy your new Braun appliance.

Before use

Please read instructions carefully and completely before using the appliance.

Parts and Accessories

- 1 Pilot light
- 2 Safety button 
- 3 Smart Speed switch / variable speeds 
- 4 Motor part
- 5 EasyClick Plus Release buttons
- 6 ActiveBlade shaft
- 7 Beaker
- 8 Whisk accessory
 - a Gearbox
 - b Whisk
- 9 Puree accessory
 - a Gearbox
 - b Puree shaft
 - c Paddle
- 10 1.5-cup / 350 ml chopper accessory «hc»
 - a Lid
 - b Chopping blade
 - c Chopper bowl
 - d Anti-slip rubber ring
- 11 5-cup / 1250 ml chopper accessory «bc»
 - a Lid (with gear)
 - b Chopping blade
 - c Ice blade
 - d Chopper bowl
 - e Anti-slip rubber ring
- 12 6-cup / 1500 ml food processor accessory «fp»
 - a Lid (with gear)
 - b Coupling for motor part
 - c Pusher
 - d Feed tube
 - e Lid latch
 - f Food processor bowl
 - g Anti-slip rubber ring
 - h Chopping blade
 - i Insert holder
 - (i) Slicing insert (fine, coarse)
 - (ii) Shredding inserts (fine, coarse)
 - (iii) Julienne insert
 - j French fry disc

Clean all parts before using for the first time – refer to «Care and Cleaning».

Pilot Light

The pilot light (1) shows the status of the appliance, when it is connected to an electrical outlet.

Pilot light	Appliance / Operating status
Flashing red	Appliance is ready for use.
Solid green	Appliance is released (switch release button is pressed) and can be switched on.
Solid Red	Early warning about overheating. Motor slows down, step by step, till shut off. Let the cool down. It is ready for use again when the pilot light flashes red.

If the maximum speed decreases under high load and long running time you can still finish your preparation, however you should let the appliance cool down afterwards.

How to Use the Appliance

Smart Speed Switch for Variable Speeds

One squeeze, all speeds. The more you press, the higher the speed. The higher the speed, the faster and finer the blending and chopping results.

One handed operation: the Smart Speed switch (3) allows you to turn on the appliance and control the speed with one hand.

Operating your Hand Blender

First use: Remove the transportation lock from the motor part (4) by pulling it at the red strap.

Switching On (A)

The appliance comes equipped with a safety button for releasing the Smart Speed switch. To safely turn it on, follow these points:

- Press the safety button (2) with your thumb. The Pilot Light will turn solid green.
- Immediately press the Smart Speed switch and adjust to the desired speed. Note: If the Smart Speed switch is not pressed within 2 seconds, the appliance cannot be switched on for safety reasons. The pilot light will flash red. To switch the appliance on, start again with first step.
- During operation you do not need to keep the safety button pressed.

ActiveBlade Shaft (B)

The hand blender is equipped with an ActiveBlade shaft, which enables the knife extend to the bottom

of the bell. The adjustment is made automatically by pressure required in blending tasks, especially suited to mix hard foods e.g raw fruits and vegetables.

It is also perfectly suited for preparing dips, sauces, salad dressings, soups, baby food, as well as drinks, smoothies and milkshakes.

For best results, use the highest speed.

Assembly and Operation

- Attach the ActiveBlade shaft (6) to the motor part until it clicks.
- Place the ActiveBlade shaft into the mixture to be blended. Then switch the appliance on as described above.
- Blend ingredients to the desired consistency using a gentle up-and-down motion. Depending on the pressure applied, the ActiveBlade shaft will depress and blade will extend.
- After use, unplug the hand blender and press the release buttons (5) to detach the ActiveBlade shaft.

Caution

- For easier cleaning, liquids or ingredients should not overlap the green line of the ActiveBlade shaft.
- If using the appliance to purée hot food in a saucepan or pot, remove the saucepan or pot from the heat source and ensure the liquid is not boiling. Allow hot food to cool slightly to avoid risk of scalding.
- Do not let the hand blender sit in a hot pan on the cooktop when not in use.
- Do not scratch the ActiveBlade Shaft over the bottom of pans and pots.

Recipe Example: Mayonnaise

1.25 cups / 250 g oil (e.g. sunflower oil)

1 egg and 1 extra egg yolk

1–2 tbsp. vinegar

Salt and pepper to taste

- Place all ingredients (at room temperature) into the beaker in the order as above.
- Place the hand blender at the bottom of the beaker. Blend at maximum speed until the oil starts emulsifying.
- With the hand blender still running, slowly raise the shaft to the top of the mixture and back down to incorporate the rest of the oil.

NOTE: Processing time: approx. 1 minute for salads and up to 2 minutes for a thicker mayonnaise (e.g. for dip).

Whisk Accessory (B)

Use the whisk only for whipping cream, beating egg whites, making sponge cakes and ready-mix desserts.

Assembly and Operation

- Attach the whisk (8b) to the gearbox (8a).

10

- Align the motor part with the assembled whisk attachment and push the pieces together until they click.
- After use, unplug and press the release buttons to detach the motor part. Then pull the whisk out of the gearbox.

Tips for Best Results

- Move the whisk clockwise while holding it at a slight incline.
- To prevent splattering, start slowly and use the whisk attachment in deep containers or pans.
- Place the whisk in a bowl and only then switch the appliance on.
- Always ensure the whisk and mixing bowl are completely clean and free of fat before whisking egg whites. Only whip up to 4 egg whites.

Recipe Example: Whipped Cream

1.8 cups / 400 ml chilled cream (min. 30% fat content, 4 - 8 °C / 39,2 - 46,4 F)

- Start with low speed (light pressure on the switch) and increase the speed (more pressure on switch) while whipping.
- Always use fresh chilled cream to achieve greater and more stable volume when whisking.

Puree Accessory (C)

The puree accessory can be used to mash cooked vegetables and fruits such as potatoes, sweet potatoes, tomatoes, plums and apples.

Before Use

- Do not mash hard or uncooked food, as this may damage the unit.
- Peel and remove any stones or hard parts; cook and drain then mash the fruit/vegetable.

Assembly and Operation

- Fit the gearbox (9a) to the shaft (9b) by turning in a clockwise direction until it locks into place.
- Turn the puree accessory upside down and fit the paddle (9c) over the central hub and turn counter-clockwise to locate. (If the gearbox is not fitted properly, then the paddle will not secure in place).
- Align the assembled puree accessory with the motor part and click the two parts together. Plug in.
- Dip the puree accessory into the ingredients and switch on the appliance.
- Using a gentle up and down motion, move the puree accessory through the ingredients until the desired texture is achieved.
- Release the Smart Speed switch and ensure the puree accessory has completely stopped turning before removing it from the food.
- After use, unplug the appliance. Remove the paddle (9c) by turning clockwise.
- Press the release buttons to detach the puree accessory from the motor part. Separate the

gearbox from the shaft by turning counter-clockwise.

Caution

- Never use the puree accessory in a saucepan over direct heat.
- Always remove the saucepan from the heat and allow to cool slightly.
- Sit the saucepan or bowl on a stable, flat surface, and support it with your free hand.
- Do not tap the puree accessory on the side of the cooking vessel during or after use. Use a spatula to scrape excess food away.
- For best results when mashing never fill a saucepan or bowl more than half full with food.
- Do not process more than one batch without interruption.
- Let the appliance cool down for 4 minutes before you continue processing.

Recipe Example: Mashed Potatoes

2.2 lbs / 1 kg cooked potatoes

7 fl. oz. / 200 ml warm milk

Place the potatoes in a bowl and mash for 30 seconds (3/4 way on the Smart Speed switch) Add the milk. Resume mashing for another 30 seconds.

Chopper Accessory (D)

The choppers (10/11) are perfectly suited for chopping hard cheese, onions, herbs, garlic, vegetables, bread, crackers and nuts.

Use the «hc» chopper (10) for fine results.

Maximum operation time and capacity for the «hc» chopper: For soft and wet ingredients fill container max. half full, operating time max. 2 minutes. For hard or dry ingredients fill container with max. 100 g (3.5 oz), operating time max. 30 seconds.

Immediately stop processing when motor speed decreases and/or strong vibrations occur.

Use the «bc» chopper (11) for larger quantities and for hard foods.

Furthermore, the «bc» chopper offers a variety of other applications like shakes, drinks, purées, batter, meat or crushed ice.

For processing of liquids the quantity should not exceed 2/3 of working bowl. For best results of hard food processing fill the container with max. 300 g (10.5 oz). For ice crushing use max. 6 cubes.

Refer to the Processing Guide D for maximum quantities and recommended speeds.

Before Use

- Pre-cut foods into small pieces for easier chopping.
- Remove any bones, tendons and gristle from meat to help prevent damage to the blades.

- Make sure the anti-slip rubber ring (10d) is attached to the bottom of the chopper bowl.

Assembly and Operation

- Carefully remove the plastic cover from the blade.
- The blade (10b/11b/11c) is very sharp! Always hold it by the upper plastic part and handle it carefully.
- Place the blade on the center pin of the chopper bowl (10c/11d). Press it down and give it a turn so that it locks into place.
- Fill the chopper with food and put on the lid (10a/11a).
- Align the chopper with the motor part (4) and click together.
- To operate the chopper, switch on the appliance. During processing, hold the motor part with one hand and the chopper bowl with the other.
- Always chop harder foods (e.g. parmesan cheese) at full speed.
- When chopping is complete, unplug and press the release buttons (5) to detach the motor part.
- Lift the lid up. Carefully take out the blade before pouring out the contents of the bowl. To remove the blade, slightly turn it then pull it off.

Caution

- «hc» chopper is not suitable for meat processing.
- Do not use the chopper accessories (10/11) with chopping blades to process extremely hard foods, such as unshelled nuts, ice cubes, coffee beans, grains, or hard spices e.g. nutmeg. Processing these foods could damage the blades.
- Only the «bc» chopper accessory (11) with the special ice blade is allowed to crush ice cubes.
- Never place the chopper bowl in the microwave oven.

Food Processor Accessory

The food processor accessory (12) can be used for:

- Chopping, blending and mixing light batter;
- slicing, shredding, julienning, and making french fries.

Chopping (E)

Using the blade (12h) you can chop meat, hard cheese, onions, herbs, garlic, vegetables, bread, crackers, and nuts.

For processing of liquids the quantity should not exceed 1/2 of working bowl.

For best results of hard food processing fill the container with max. 400 g (14 oz).

Refer to the Processing Guide D for maximum quantities and recommended speeds.

Before Use

- Pre-cut foods into small pieces for easier chopping.

- Remove any bones, cartilage, tendons and gristle from meat to help prevent damage to the blades.
- Remove stems from herbs, shell nuts.
- Make sure the anti-slip rubber ring (12g) is attached to the bottom of the food processor bowl.

Assembly and Operation

- Carefully remove the plastic cover from the blade.
- The blade (12h) is very sharp! Always hold it by the upper plastic part and handle it carefully.
- Place the blade on the center pin of the bowl (12f). Press it down and give it a turn so that it locks into place.
- Fill the bowl with food. Attach the lid (12a) to the bowl with the latch (12e) positioned to the right of the bowl handle and align with marks.
- To lock the lid, turn it clockwise so that the latch engages with a click.
- Insert the motor part (4) into the coupling (12b) until it locks.
- Plug in the appliance and insert the pusher (12c) in the feed tube (12d).
- To operate the food processor, switch on the appliance. During processing, hold the motor part with one hand and the food processor bowl on the handle.
- When chopping is complete, unplug and press the release buttons (5) to detach the motor part.
- Press the lid latch (12e) and hold it. Turn the lid (12a) counter-clockwise to unlatch it.
- Lift the lid up. Carefully take out the blade before pouring out the contents of the bowl. To remove and unlock the blade, slightly turn it then pull it off.

Caution

- Do not use the food processor accessory to chop extremely hard foods, such as unshelled nuts, ice cubes, coffee beans, grains or hard spices e.g. nutmeg. Processing these foods could damage the blades.
- Never place the food processor bowl in the microwave oven.

Using the blade (12h), you may also mix light batter like a pancake batter or a cake mixture based on up to 250 g of flour.

Recipe Example: Pancake Batter

1.5 cups / 375 ml milk

2 cups / 250 g plain flour

2 eggs

- Pour milk into the bowl, then add flour and finally the eggs.
- Using full speed, mix the batter until smooth.

Slicing / Shredding / Julienne / French Fry (F)

Use the fine and coarse slicing inserts (i) to slice raw fruit and vegetables into fine, thin slices; e.g.

cucumbers, onions, mushrooms, apples, carrots, radishes, potatoes, zucchini and cabbage.

Use the fine and coarse shredding inserts (ii) to shred foods such as apples, carrots, potatoes, beetroot, cabbage, hard cheese (like Parmesan).

Use the julienne insert (iii) to cut fruit and vegetable into julienne.

For best results the quantity of processed food should not exceed 1/2 of working bowl.

Use the French fry disc (12j) to prepare french fries.

Refer to the Processing Guide F for recommended speeds.

Assembly and Operation

- For slicing / shredding / julienning place an insert into the insert holder (12i) and snap into position. Place the assembled insert holder or French fry disc on the center pin of the bowl and give it a turn so that it locks into place.
- Attach the lid to the bowl with the latch positioned to the right of the bowl handle.
- To lock the lid, turn it clockwise so that the latch engages with a click.
- Insert the motor part into the coupling until it locks.
- Plug in the appliance and insert the food to be processed into the feed tube.
- For best French fry results, place 3-4 potatoes (depending on the size) in the feed tube of the lid while the motor is switched off.
- Switch the appliance on to operate. Never reach into the feed tube when the appliance is switched on. Always use the pusher to feed in food.
- After use, unplug and press the release buttons to detach the motor body.
- Press the lid latch and hold it. Turn the lid counter-clockwise to unlatch it.
- Lift the lid up. Carefully take out insert holder or French fry disc before pouring out the contents of the bowl. To remove the insert holder or French fry disc, slightly turn it then pull it off.
- To remove an insert, push it up at the one end that protrudes at the bottom side of the insert holder.

Care and Cleaning (G)

- Always clean the hand blender thoroughly after use.
- Unplug hand blender before cleaning.
- Do not immerse the motor part (4) or gearboxes (8a, 9a) in water or any other liquid. Clean with a damp cloth only.
- The lid (11a/12a) can be rinsed under running water. Do not immerse in water, nor place in a dishwasher.
- All other parts can be cleaned in a dishwasher. Do not use abrasive cleaners that could scratch the surface.

- You may remove the anti-slip rubber rings from the bottom of the bowls for an extra thorough clean.
- When processing foods with high pigment content (e.g. carrots), the accessories may become discolored. Wipe these parts with vegetable oil before cleaning them.

Both the design specifications and these user instructions are subject to change without notice.

Please do not dispose of the product in the household waste at the end of its useful life. Disposal can take place at a Braun Service Centre or at appropriate collection points provided in your country.

IMPORTANTES MESURES DE PROTECTION

Lorsque vous utilisez des appareils électriques, vous devez toujours suivre des précautions de sécurité de base pour réduire les risques d'incendie, de choc électrique et/ou de blessures, y compris les suivantes:

LIRE TOUTES LES INSTRUCTIONS.

1. **Les lames sont tranchantes. Manipulez-les avec précaution lorsque vous les retirez, insérez ou nettoyez. Utilisez les mêmes précautions lors du retrait, de l'insertion de la lame ou disque hachoir du robot multifonction et des accessoires du hachoir. Vérifiez toujours que le boîtier à accessoires est exempt de fissures ou d'autres dommages.**
2. Cet appareil n'est pas prévu pour être utilisé par des personnes (y compris les enfants) dont les capacités physiques, sensorielles ou mentales sont réduites, ou des personnes dénuées d'expérience ou de connaissance, sauf si elles ont pu bénéficier, par l'intermédiaire d'une personne responsable de leur sécurité, d'une surveillance ou d'instructions préalables concernant l'utilisation de l'appareil.
3. Enlevez tout matériau d'emballage et toute étiquette promotionnelle avant d'utiliser cet appareil pour la première fois.
4. Débranchez l'appareil de la prise de courant quand vous ne l'utilisez pas, avant d'enlever ou d'installer des pièces et avant de le nettoyer. Pour débrancher l'appareil, saisissez la fiche et la tirez hors de la prise de courant. Ne jamais tirer sur le cordon.
5. Pour éviter tout risque de choc électrique, n'immergez jamais le boîtier du bloc-moteur, le cordon ni la fiche de ce pied mixeur dans l'eau ou d'autres liquides. Seulement le pied amovible du mixeur et certaines pièces de cet appareil sont conçus pour être immergés dans l'eau ou d'autres liquides. Ne jamais immerger d'autres pièces de cet appareil. Si le pied mixeur tombe dans un liquide, débranchez-le d'abord et retirez-le immédiatement du liquide ensuite. Ne jamais atteindre l'appareil dans le liquide sans avoir préalablement débranché l'appareil.
6. L'utilisation d'accessoires non vendus ni recommandés par Braun peuvent provoquer des incendies, des chocs électriques ou des blessures.
7. Inspectez régulièrement le cordon d'alimentation, la fiche, ainsi que l'appareil pour y déceler tout dommage. Ne faites pas fonctionner l'appareil s'il est endommagé ou s'il ne fonctionne pas correctement. Arrêtez immédiatement d'utiliser l'appareil et appelez le Service clientèle de Braun pour examen, réparation ou ajustement de l'appareil.
8. Évitez tout contact avec les lames ou les pièces mobiles.
9. Ne pas utiliser à l'extérieur ni à d'autres fins que celles prévues.
10. Garder les mains et les ustensiles à l'écart du récipient lors du mélange afin d'éviter toutes blessures graves ou des dommages à l'appareil. On peut utiliser un grattoir mais il doit être employé uniquement lorsque l'appareil ne fonctionne pas.
11. Détachez le pied de mixeur du boîtier du bloc-moteur avant de nettoyer les lames ou le pied de mixeur.
12. Lors du mélange de liquides, surtout de liquides chauds, utilisez un haut récipient ou préparez de petites quantités à la fois pour réduire le risque de renversements et de blessures dues à des brûlures.
13. Le pied de mixeur et le fouet en métal peuvent rayer ou marquer les revêtements antiadhésifs. Ne pas utiliser sur des batteries de cuisine à revêtement antiadhésif.

14. Veillez à ce que l'accessoire couvercle du robot multifonction soit bien verrouillé en place avant de mettre l'appareil en marche. Ne pas essayer de retirer le couvercle avant que la lame ne se soit arrêtée.
15. Vérifiez le bol de préparation pour y déceler la présence de corps étrangers avant de l'utiliser.
16. Ne pas laisser le cordon pendre du bord d'une table ou d'un plan de travail. Ne pas laisser le cordon entrer en contact avec des surfaces chaudes, y compris une cuisinière.
17. La puissance nominale maximale est basée sur le «bf» hachoir (MQ 20 hachoir «hc» + adaptateur), qui est le plus puissant et d'autres équipements recommandés peuvent s'avérer être considérablement moins puissants.
18. Le couteau à lame double est tranchant. Soyez prudent, particulièrement lorsque vous retirez ou remplacez la lame du couteau.
19. Avant de procéder au remplacement des lames du couteau, mettre le bol en place.
20. Le hachoir bf est conçu pour préparer de petites quantités de nourriture destinées à une consommation immédiate et il est particulièrement recommandé pour préparer de la nourriture pour bébé. L'appareil n'est pas conçu pour préparer de larges quantités de nourriture en une seule fois.
21. Ne pas faire fonctionner l'appareil dans une armoire à appareils électroménagers ou sous une armoire murale.
22. Nous recommandons de conserver les matériaux d'emballage d'origine au cas où vous en auriez besoin pour une expédition de l'appareil. Tenir tous les sacs en plastique hors de portée des enfants.
23. L'appareil est muni d'une fiche polarisée (une lame est plus large que l'autre). Afin de réduire les risques de choc électrique, cette fiche ne peut être branchée sur une prise polarisée que dans un seul sens. Si la fiche n'entre pas complètement dans la prise, inversez la fiche. Si la fiche n'entre toujours pas dans la prise, contactez un électricien qualifié.
Ne modifiez pas la fiche de quelque façon que ce soit.

CONSERVEZ CES INSTRUCTIONS

USAGE DOMESTIQUE SEULEMENT

AVERTISSEMENT : RISQUE D'INCENDIE OU DE CHOC ÉLECTRIQUE



Français

Nos produits sont conçus pour répondre aux normes de qualité, de fonctionnalité et de conception les plus élevées. Nous espérons que votre nouvel appareil Braun vous apportera entière satisfaction.

Avant utilisation

Lisez attentivement toutes les instructions avant d'utiliser l'appareil.

Pièces et accessoires

- 1 Voyant lumineux
- 2 Bouton de déverrouillage 
- 3 Commutateur de vitesse Smart Speed / vitesse variable 
- 4 Poignée à prise confortable et boîtier du bloc-moteur
- 5 Boutons déclencheurs EasyClick Plus
- 6 Manche ActiveBlade
- 7 Bol gradué
- 8 Accessoire fouet
 - a Entraîneur
 - b Fouet
- 9 Presse-purée
 - a Entraîneur
 - b Pied presse-purée
 - c Palette
- 10 Accessoire de hacheur 1.5 tasses / 350 ml «hc»
 - a Couvercle
 - b Lame hachoir
 - c Bol hachoir
 - d Socle antidérapant en caoutchouc
- 11 5 tasses / 1250 ml hacheur accessory «bc»
 - a Couvercle (avec entraîneur)
 - b Lame hachoir
 - c Broyeur à glace
 - d Bol hachoir
 - e Socle antidérapant en caoutchouc
- 12 Accessoire de robot ménager 6 tasses / 1500 ml «fp»
 - a Couvercle (avec entraîneur)
 - b Pièce d'assemblage pour l'organe moteur
 - c Poussoir
 - d Tube de remplissage
 - e Loquet du couvercle
 - f Bol du robot multifonction
 - g Socle antidérapant en caoutchouc
 - h Lame hachoir
 - i Crochet de pétrissage
 - j Porte-lame
 - (i) Lame pour trancher (fine, large)
 - (ii) Lames pour râper (finement, grossièrement)
 - (iii) Lame pour râpe à julienne
 - k Disque coupe-frites

Nettoyer toutes les pièces avant la première utilisation de l'appareil – consulter la section «Entretien et nettoyage».

16

Voyant lumineux

Le voyant lumineux (1) indique l'état de l'appareil quand celui-ci est branché à une prise électrique.

Voyant lumineux	Appareil/État de fonctionnement
Rouge clignotant	L'appareil peut être utilisé.
Vert fixe	L'appareil est débloqué (le bouton de déverrouillage a été pressé) et peut être mis sous tension.
Rouge fixe	Avertissement précoce de surchauffe. Le moteur ralentit, petit à petit, jusqu'à s'éteindre. Le laisser refroidir. Il est de nouveau prêt à l'emploi quand le voyant lumineux est rouge clignotant.

Si la vitesse maximum diminue en cas de charge élevée et de longue durée d'utilisation, vous pouvez encore finir votre préparation mais vous devrez laisser l'appareil refroidir après.

Utilisation de l'appareil

Commutateur de vitesse intelligent à vitesse variable

Le commutateur commande toutes les vitesses. Pour augmenter la vitesse, appuyer plus fortement. Plus la vitesse est élevée, plus les aliments sont mélangés et hachés rapidement et finement. Utilisation d'une seule main: le commutateur de vitesse intelligent Smart Speed (3) permet de mettre l'appareil sous tension et de modifier la vitesse d'une seule main.

Fonctionnement du mixeur plongeant

Première utilisation: retirer le verrou de transport du boîtier du bloc-moteur (4) en tirant sur la sangle rouge.

Mise sous tension (A)

L'appareil est doté d'un bouton de déverrouillage qui débloque le commutateur de vitesse intelligent Smart Speed. Pour mettre l'appareil sous tension en toute sécurité, suivre les instructions suivantes:

- Appuyer sur le bouton de déverrouillage (2) avec le pouce. Le voyant lumineux deviendra vert fixe.
- Appuyer immédiatement sur le commutateur de vitesse intelligent, puis régler la vitesse.

REMARQUE: Il faut appuyer sur le commutateur de vitesse intelligent Smart Speed dans un délai de cinq secondes, sinon une fonction de sécurité empêchera de mettre l'appareil sous tension.

Le voyant lumineux deviendra alors rouge et clignotera. Pour mettre l'appareil sous tension, recommencer à partir de la première étape.

- Pendant le fonctionnement de l'appareil, il n'est pas nécessaire de garder le bouton de déverrouillage enfoncé.

Manche ActiveBlade (B)

Le mixeur à main est équipé d'un manche ActiveBlade qui permet d'étendre la lame jusqu'au fond. Le réglage se fait automatiquement via la pression requise lors du mixage, ce qui est particulièrement adapté pour mixer les aliments durs comme les fruits et légumes crus.

Il est aussi parfaitement adapté pour préparer des dips, des sauces, des vinaigrettes, des soupes, de la nourriture pour bébé ainsi que des boissons, des smoothies et des milkshakes.

Pour obtenir des résultats supérieurs, utiliser la vitesse la plus élevée.

Assemblage et fonctionnement

- Fixer le manche ActiveBlade (6) au moteur jusqu'à entendre un clic.
- Placer le manche ActiveBlade dans le mélange à mixer. Puis allumer l'appareil comme décrit ci-dessus.
- Mixer les ingrédients jusqu'à obtenir la consistance désirée en utilisant un léger mouvement de bas en haut. Selon la pression appliquée, le manche ActiveBlade s'abaisse et la lame s'étend.
- Après utilisation, débrancher le mixeur à main et appuyer sur les boutons de déverrouillage (5) pour retirer le manche ActiveBlade.

Avertissement

- Pour faciliter le nettoyage, les liquides ou ingrédients ne doivent pas dépasser la ligne verte du manche ActiveBlade.
- Lors de l'utilisation de l'appareil pour réduire un aliment chaud en purée dans une casserole, retirer la casserole du feu et s'assurer que le liquide n'est pas en ébullition. Laisser l'aliment chaud refroidir légèrement pour éviter tout risque de brûlure.
- Quand le mixeur plongeant ne sert pas, ne pas le laisser dans une casserole chaude sur la cuisinière.
- Ne pas cogner le manche ActiveBlade contre le fond des casseroles et fait-touts.

Exemple de recette: Mayonnaise

1.25 tasse / 250 g d'huile (par ex., huile de tournesol)
1 oeuf et 1 autre jaune d'oeuf

1-2 c. à table de vinaigre

Sel et poivre au goût

- Verser tous les ingrédients (à température ambiante) dans le bol gradué dans l'ordre indiqué ci-dessus.
- Poser le mixeur plongeant dans le fond du bol gradué. Mélanger les ingrédients à vitesse maximale jusqu'à ce que l'huile commence à émulsionner.
- Laisser le mixeur plongeant fonctionner et soulever lentement le pied jusqu'en haut du mélange, puis le redescendre pour incorporer le restant de l'huile.

REMARQUE: Temps de préparation: environ 1 minute pour une salade et jusqu'à 2 minutes pour une mayonnaise épaisse (par ex., pour une sauce froide).

Accessoire fouet (B)

Utiliser le fouet uniquement pour fouetter de la crème et des blancs d'oeuf, et pour préparer des gâteaux éponge et des desserts prêts à mélanger.

Assemblage et fonctionnement

- Attacher le fouet (8b) à l'entraîneur du fouet (8a).
- Aligner le boîtier du bloc-moteur et le fouet assemblé, puis pousser sur les pièces pour qu'elles s'emboîtent en faisant un déclic.
- Après l'utilisation, débrancher l'appareil, puis appuyer sur les boutons de dégagement facile EasyClick pour détacher le boîtier du bloc-moteur. Retirer ensuite le fouet de l'entraîneur du fouet.

Conseils pour obtenir de meilleurs résultats

- Déplacer le fouet dans le sens des aiguilles d'une montre tout en le tenant légèrement incliné.
- Pour éviter les éclaboussures, commencer doucement et utiliser l'accessoire fouet dans des récipients ou casseroles profonds.
- Mettre l'appareil sous tension seulement après avoir placé le fouet dans le récipient.
- Toujours s'assurer que le fouet et le bol à mélanger sont entièrement propres et exempts de matière grasse avant de fouetter des blancs d'oeuf. Fouetter tout au plus quatre blancs d'oeuf à la fois.

Exemple de recette: Crème fouettée

1.8 tasse / 400 ml de crème froide (au moins 30 % de matière grasse, à 4 - 8 °C / 39,2 - 46,4 F)

- Commencer à basse vitesse (pression légère sur le commutateur), puis augmenter la vitesse (pression plus forte sur le commutateur) tout en fouettant la crème.
- Pour que la crème fouettée soit plus stable et ait un bon volume, utiliser toujours de la crème fraîche refroidie.

Presse-purée (C)

Le presse-purée peut être utilisé pour écraser des légumes et fruits cuits tels que les pommes de terre, les patates douces, les tomates, les prunes et les pommes.

Avant l'utilisation

- Ne pas essayer de réduire en purée des aliments durs ou crus, étant donné que ceux-ci peuvent endommager l'appareil.
- Peler et retirer les noyaux, pépins ou parties dures ; cuire et égoutter avant de réduire le fruit/légume en purée.

Assemblage et fonctionnement

- Attacher l'entraîneur (9a) au pied (9b) en le tournant dans le sens des aiguilles d'une montre jusqu'à ce qu'il se verrouille en place.
- Mettre le presse-purée à l'envers, puis fixer la palette (9c) sur le pivot central, puis la tourner dans le sens inverse des aiguilles d'une montre pour la repérer (si l'entraîneur n'est pas fixée correctement, alors la palette ne restera pas en place).
- Aligner le presse-purée assemblé et le boîtier du bloc-moteur, puis emboîter les deux pièces ensemble. Brancher l'appareil.
- Plonger le presse-purée dans les ingrédients, puis mettre l'appareil sous tension.
- En remuant doucement l'appareil de haut en bas, déplacer le presse-purée dans les ingrédients jusqu'à ce qu'ils aient la texture désirée.
- Relâcher le commutateur de vitesse intelligent et s'assurer que le presse-purée s'est complètement immobilisé avant de le retirer de l'aliment.
- Après l'utilisation, débrancher l'appareil. Ôter la palette (9c) en la tournant dans le sens des aiguilles d'une montre.
- Appuyer sur les boutons de dégagement facile EasyClick pour détacher le presse-purée du boîtier du bloc-moteur. Séparer l'entraîneur du pied en tournant dans le sens inverse des aiguilles d'une montre.

Avertissement

- Ne jamais utiliser le presse-purée dans une casserole sur un feu direct.,
- Toujours enlever la casserole du feu et laisser son contenu refroidir légèrement.
- Poser le récipient sur une surface stable et plane et le soutenir avec la main libre.
- Ne pas cogner le presse-purée sur le côté du récipient de cuisson pendant l'utilisation ou après. Utiliser une spatula pour racler l'excédent d'aliments.,
- Pour obtenir des résultats supérieurs lors du broyage, il ne faut jamais remplir plus qu'à moitié le récipient avec les aliments.
- Après avoir réduit en purée les aliments versés dans le récipient, attendre avant de réduire d'autres aliments en purée.

- Laisser l'appareil refroidir pendant quatre minutes avant de continuer la réduction en purée d'autres aliments.

Exemple de recette: Pommes de terre en purée

2.2 lb / 1 kg de pommes de terre cuites

7 fl. oz. / 200 ml de lait chaud

- Mettre les pommes de terre dans un bol, puis les réduire en purée pendant 20 - 30 secondes (enfoncer le commutateur de vitesse intelligent Smart Speed aux trois quarts).
- Ajouter le lait. Continuer la réduction en purée pendant encore 20 - 30 secondes.

Accessoire de hacheur (D)

Les hacheurs (10/11) sont parfaitement adaptés pour hacher les fromages à pâtes dures, les oignons, les herbes, l'ail, les légumes, le pain, les crackers et les noix.

Utiliser le hacheur «hc» (10) pour des résultats fins.

Durée de fonctionnement maximale du hacheur «hc»: Pour les ingrédients mous et humides, ne pas remplir le conteneur à plus de la moitié, durée de fonctionnement maximale: 2 minutes.

Pour les ingrédients durs ou secs, ne pas remplir le conteneur à plus de 100 g (3.5 oz), durée de fonctionnement: 30 secondes.

Arrêter immédiatement le hacheur quand la vitesse du moteur ralentit ou lors de fortes vibrations.

Utiliser le hacheur «bc» (11) pour des quantités plus importantes et pour la nourriture dure.

Il est aussi possible d'utiliser le hacheur «bc» pour différentes applications telles que les frappés, les boissons, les purées, les pâtes, la viande ou encore la glace pillée.

Pour une utilisation avec du liquide, la quantité ne doit pas excéder les 2/3 du bol de travail. Pour de meilleurs résultats avec des aliments durs, ne pas remplir le conteneur à plus de 300 g (10.5 oz). Pour faire de la glace pillée, ne pas mettre plus de 6 cubes.

Se référer au guide de traitement D pour connaître les quantités maximum et les vitesses recommandées.

Avant l'utilisation

- Couper les aliments au préalable en petits morceaux pour qu'il soit plus facile de les hacher.
- Enlever les os, les tendons et les nerfs de la viande pour éviter d'endommager les lames.
- S'assurer que le socle antidérapant en caoutchouc (10d) est fixé sous le bol du hachoir.

Assemblage et fonctionnement

- Enlever avec précaution le protège-gelame en plastique.
- La lame (10b/11b/11c) est très coupante! Toujours la tenir par la partie supérieure en plastique et la manipuler avec précaution.
- Placer la lame sur la tige centrale du bol du hachoir (10c/11d). Pousser la lame vers le bas et la faire tourner pour qu'elle se fixe en place.
- Verser l'aliment dans le hachoir, puis mettre le couvercle (10a/11a).
- Aligner le hachoir et le boîtier du bloc-moteur (4), puis emboîter les deux pièces ensemble.
- Pour utiliser le hachoir, mettre l'appareil sous tension. Pendant l'utilisation du hachoir, tenir le boîtier du bloc-moteur d'une main et le bol du hachoir de l'autre.
- Toujours hacher les aliments durs (par ex., le parmesan) à la vitesse la plus élevée.
- Quand le hachage est terminé, débrancher l'appareil, puis appuyer sur les boutons de dégagement facile (5) pour détacher le boîtier du bloc-moteur.
- Soulever le couvercle. Retirer la lame avec précaution avant de vider le contenu du bol. Pour enlever la lame, la tourner légèrement, puis l'ôter en tirant.

Attention

- Ne pas utiliser le hacheur «hc» pour la viande.
- Ne pas utiliser les accessoires de hacheur (10/11) avec les lames de hacheur sur des aliments extrêmement durs tels que des noix non décortiquées, des glaçons, des grains de café, des graines ou des condiments durs comme la muscade. Ces aliments pourraient endommager les lames.
- Seul l'accessoire de hacheur «bc» (11) avec le broyeur à glace spécial peut être utilisé pour piler de la glace.
- Ne jamais placer le bol du hachoir au micro-ondes.

Accessoire de robot culinaire

Le robot culinaire (12) peut servir à :

- hacher, mixer et mélanger les pâtes légères ;
- pétrir de la pâte (à base de 250 g de farine max.) ;
- trancher, émincer, couper en julienne et faire des frites.

Hacher (E)

La lame (12h) permet de hacher la viande, les fromages à pâte dure, les oignons, les fines herbes, l'ail, les légumes, le pain, les crackers et les noix.

Pour une utilisation avec du liquide, la quantité ne doit pas excéder 1/2 du bol de travail.

Pour de meilleurs résultats avec des aliments durs, ne pas remplir le conteneur à plus de 400 g (14 oz).

Se référer au guide de traitement D pour connaître les quantités maximum et les vitesses recommandées.

Avant l'utilisation

- Couper les aliments au préalable en petits morceaux pour qu'il soit plus facile de les hacher.
- Enlever les os, le cartilage, les tendons et les nerfs de la viande pour éviter d'endommager les lames.
- Retirer les tiges des herbes, décortiquer les noix.
- S'assurer que le socle antidérapant en caoutchouc (12 g) est fixé sous le bol du robot culinaire.

Assemblage et fonctionnement

- Enlever avec précaution le protège-gelame en plastique.
- La lame (12h) est très coupante! Toujours la tenir par la partie supérieure en plastique et la manipuler avec précaution.
- Placer la lame sur la tige centrale du bol (12f). Pousser la lame vers le bas et la faire tourner pour qu'elle se fixe en place.
- Mettre les aliments dans le bol. Fixer le couvercle (12a) au bol avec le loquet (12e) placé à la droite de la poignée du bol et aligné aux marques.
- Pour verrouiller le couvercle, le tourner vers la droite pour que le loquet s'engage avec un clic.
- Insérer le boîtier du bloc-moteur (4) dans le raccord (12b) jusqu'à ce qu'il se verrouille en place.
- Brancher l'appareil, puis insérer le poussoir (12c) dans le tube de remplissage (12d).
- Pour utiliser le robot, allumer l'appareil. Pendant l'utilisation, maintenir l'organe moteur avec une main et le bol du robot au niveau de la poignée.
- Quand le hachage est terminé, débrancher l'appareil, puis appuyer sur les boutons de dégagement facile EasyClick (5) pour détacher le boîtier du bloc-moteur.
- Appuyer sur le loquet du couvercle (12e) et le maintenir. Tourner le couvercle (12a) vers la gauche pour l'ouvrir.
- Soulever le couvercle. Retirer prudemment la lame avant d'enlever le contenu du bol. Pour retirer et déverrouiller la lame, la tourner légèrement puis l'enlever.

Attention

- Ne pas utiliser le robot culinaire pour hacher des aliments extrêmement durs, tels que des noix non décortiquées, des glaçons, des grains de café, des céréales ou des épices dures (par ex., de la muscade). Ces aliments pourraient endommager les lames.
- Ne jamais placer le bol du robot multifonctionnel au micro-ondes.

En utilisant le couteau (12h), vous pouvez aussi mixer une pâte fine comme une pâte à pancake avec jusqu'à 250 g de farine.

Exemple de recette: Pâte à crêpe

1.5 tasse / 375 ml de lait

2 tasses / 250 g de farine ordinaire

2 oeufs

- Verser le lait dans le bol. Ajouter d'abord la farine, puis les oeufs.
- À la vitesse la plus élevée, mélange la pâte jusqu'à ce qu'elle ait une consistance lisse.

Trancher / Émincer / Julienne / Frites (F)

Utiliser les lames à trancher fines et larges (i) pour trancher des fruits et légumes crus en tranches fines, par ex. les concombres, oignons, champignons, pommes, carottes, radis, pommes de terre, courgettes et choux.

Utiliser les râpes (ii) fine et épaisse pour couper des aliments tels que les pommes, les carottes, les pommes-de-terre, les betteraves, les choux, les fromages à pâte dure (comme le parmesan).

Utiliser la lame à julienne (iii) pour couper les fruits et légumes en julienne.

Pour de meilleurs résultats, la quantité d'aliments ne doit pas excéder 1/2 du bol de travail.

Le disque coupe-frites (12j) permet de préparer des frites.

Se reporter au guide de fonctionnement F pour les vitesses recommandées.

Assemblage et fonctionnement

- Pour trancher / émincer / couper en julienne, placer une lame dans le support (12i) et la fixer en position. Placer le support à lame assemblé ou le disque à frites sur la tige centrale du bol et le faire tourner pour qu'il se verrouille en position.
- Fixer le couvercle au bol avec le loquet placé à la droite de la poignée du bol.
- Pour verrouiller le couvercle, le tourner vers la droite pour que le loquet s'engage avec un clic.
- Insérer l'organe moteur dans la pièce d'assemblage jusqu'à ce qu'il se verrouille.
- Brancher l'appareil et insérer les aliments à préparer dans le tube de remplissage.
- Pour obtenir les meilleures frites, placer 3-4 pommes de terre (selon leur taille) dans le tube de remplissage du couvercle tandis que le moteur est éteint.
- Allumer l'appareil pour préparer. Ne jamais mettre les doigts dans le tube de remplissage lorsque l'appareil est sous tension. Utiliser toujours le poussoir pour introduire des ingrédients.
- Après utilisation, débrancher l'appareil et appuyer sur les boutons de déverrouillage pour retirer l'organe moteur.
- Appuyer sur le loquet du couvercle et le maintenir. Tourner le couvercle vers la gauche pour l'ouvrir.

20

- Soulever le couvercle. Retirer prudemment le support à lame ou le disque à frites avant d'enlever le contenu du bol. Pour retirer le support à lame ou le disque à frites, le tourner légèrement puis l'enlever.
- Pour retirer une lame, appuyer sur l'extrémité dépassant du côté inférieur du support à lame.

Entretien et nettoyage (G)

- Toujours nettoyer soigneusement le mixeur plongeant après chaque utilisation.
- Débrancher le mixeur plongeant avant de le nettoyer.
- Ne pas immerger le boîtier du bloc-moteur (4) ni les entraîneurs (8a, 9a) dans l'eau ou tout autre liquide. Nettoyer uniquement à l'aide d'un chiffon humide.
- Le couvercle (11a/12a) peut être rincé sous l'eau courante. Ne pas l'immerger dans l'eau, ni le mettre au lave-vaisselle.
- Toutes les autres pièces peuvent être nettoyées au lave-vaisselle. Ne pas utiliser de nettoyant abrasif qui pourrait égratigner la surface.
- Il est possible de retirer le socle antidérapant en caoutchouc sous chaque bol pour un nettoyage en profondeur.
- Les aliments fortement pigmentés (par ex., les carottes) peuvent décolorer les accessoires. Essuyer ces pièces avec de l'huile végétale avant de les nettoyer.

Les caractéristiques techniques du design ainsi que les présentes instructions peuvent changer sans préavis.

Ne jetez pas ce produit avec les ordures ménagères lorsqu'il est en fin de vie. Le remettre à un centre service agréé Braun ou le déposer dans des sites de récupération appropriés conformément aux réglementations locales ou nationales en vigueur.

CUIDADOS IMPORTANTES

Al usar aparatos eléctricos, siempre se deben seguir las precauciones de seguridad básicas para reducir el riesgo de incendio, descarga eléctrica o lesiones a las personas, incluyendo las siguientes:

LEA TODAS LAS INSTRUCCIONES.

1. **Las cuchillas están afiladas. Manéjelas con cuidado cuando las quite, inserte o limpie. Ejercite el mismo cuidado al retirar o insertar la cuchilla afilada o el disco del procesador de alimentos y los accesorios de picado. Verifique siempre que la caja del accesorio esté libre de grietas u otros daños.**
2. El aparato no está diseñado para que lo utilicen personas (incluidos los niños) con capacidades físicas, sensoriales o mentales reducidas, o faltas de experiencia y conocimiento, a menos que una persona responsable de su seguridad les haya dado supervisión o instrucciones referentes al uso del aparato.
3. Retire cualquier material de embalaje y las etiquetas promocionales antes de utilizar el aparato por primera vez.
4. Desconéctelo del enchufe cuando no esté usándolo, antes de ponerle o quitarle piezas, y antes de limpiarlo. Para desenchufarlo, agarre la clavija y retírela del enchufe. Nunca tire del cable.
5. Para protegerse contra una descarga eléctrica, no coloque el cuerpo del motor, el cable o la clavija eléctrica de esta batidora de mano en agua u otros líquidos. Sólo el eje desmontable de batido y otras piezas concretas del aparato se han diseñado para sumergirse en agua u otros líquidos. Nunca sumerja ninguna otra pieza de esta unidad. Si la batidora cae en un líquido, primero desconéctela y luego sáquela inmediatamente. No meta la mano al líquido sin desenchufar primero la unidad.
6. El uso de accesorios o aditamentos no vendidos o recomendados por Braun puede provocar incendios, descargas eléctricas o riesgo de lesiones a las personas.
7. Inspeccione periódicamente el cable de corriente, la clavija y el aparato en sí por si hubiera daños. No lo utilice si está dañado de cualquier manera o después que el aparato muestre un mal funcionamiento. Deje inmediatamente de usar el aparato y llame a Servicio al Cliente de Braun para que lo examinen, reparen o ajusten.
8. Evite cualquier contacto con las cuchillas o piezas móviles.
9. No lo use al aire libre o para ninguna cosa que no sea el propósito para el que se diseñó.
10. Mantenga las manos y los utensilios fuera del recipiente mientras está batiendo para evitar la posibilidad de lesiones personales graves o daños a la unidad. Se puede utilizar un raspador, pero se debe usar sólo cuando la unidad no esté funcionando.
11. Separe el eje de mezclado del cuerpo del motor antes de lavar las cuchillas o el eje.
12. Al mezclar líquidos, especialmente líquidos calientes, utilice un recipiente alto o haga cantidades pequeñas cada vez para evitar derrames, salpicaduras y posibilidades de lesión por quemaduras.
13. El eje metálico de mezclado y el batidor pueden rayar o marcar las superficies antiadherentes. No los utilice en baterías de cocina antiadherentes.
14. Asegúrese de que la cubierta del accesorio del procesador de alimentos esté fija en su lugar antes de operar el aparato. No intente quitar la tapa sino hasta que la hoja haya dejado de girar.
15. Compruebe el tazón por si hubiera objetos extraños antes de usarlo.
16. No deje que ningún cable cuelgue del borde de la mesa o del mostrador. No deje que el cable entre en contacto con superficies calientes, incluyendo la estufa.

17. El valor máximo está basado en la «bf» picadora (MQ 20 picadora «hc» + adaptador), que es la que más potencia consume, y otros accesorios recomendados quizás consuman una potencia considerablemente menor.
18. La picadora bf está diseñada para procesar pequeñas cantidades de alimentos para su consumo inmediato, y está especialmente recomendada para la preparación de comida para bebés. El aparato no está diseñado para preparar grandes cantidades de alimentos de una sola vez.
19. La cuchilla de doble hoja es afilada. Manéjela con cuidado. Tenga extremo cuidado al retirar o sustituir la hoja de la cuchilla.
20. El bol debe estar en su sitio antes de sustituir las hojas de la cuchilla.
21. No haga funcionar el aparato en una estantería de aparatos o bajo un armario de pared.
22. Le sugerimos que guarde todos los materiales de embalaje en caso de que sea necesario el envío de la máquina en el futuro. Conserve todas las bolsas de plástico lejos de los niños.
23. Este aparato tiene una clavija polarizada (una hoja es más ancha que la otra). Para reducir el riesgo de descarga eléctrica, esta clavija se ajustará en un enchufe polarizado solamente de una forma. Si la clavija no entra bien en el enchufe, invírtala. Si aun así no ajusta, contacte con un electricista cualificado. No modifique la clavija en modo alguno.

GUARDE ESTAS INSTRUCCIONES

SÓLO PARA USO DOMÉSTICO

ADVERTENCIA: RIESGO DE INCENDIO O DESCARGA ELÉCTRICA



Español

Nuestros productos están fabricados para cumplir los más altos estándares de calidad, funcionalidad y diseño. Esperamos que disfrute plenamente de su nuevo aparato Braun.

Antes de empezar

Lea atenta y enteramente el folleto de instrucciones antes de usar el producto.

Piezas y accesorios

- 1 Lámpara piloto
- 2 Botón de desbloqueo 
- 3 Interruptor inteligente de velocidad / velocidades variables 
- 4 Mango y cuerpo del motor de agarre cómodo
- 5 Botones de liberación EasyClick Plus
- 6 Brazo ActiveBlade
- 7 Vaso
- 8 Accesorio batidor
 - a Caja de engranajes
 - b Batidor
- 9 Accesorio del pasapurés
 - a Caja de engranajes
 - b Varilla del pasapurés
 - c Pala
- 10 Accesorio de 1.5 tazas / 350 ml picadora de comida para bebés «hc»
 - a Tapa
 - b Hoja picadora
 - c Recipiente picador
 - d Anillo de goma antideslizante
- 11 Accesorio picardor de 5 tazas / 1250 ml «bc»
 - a Tapa (con engranaje)
 - b Hoja picadora
 - c Cuchilla para hielo
 - d Recipiente picador
 - e Anillo de goma antideslizante
- 12 Accesorio procesador de alimentos de 6 tazas / 1500 ml «fp»
 - a Tapa (con engranaje)
 - b Acople para el cuerpo del motor
 - c Empujador
 - d Tubo de alimentación
 - e Enganche de la tapa
 - f Bol procesador de alimentos
 - g Anillo de goma antideslizante
 - h Hoja picadora
 - i gancho de amasar
 - j Soporte para insertos
 - (i) Inserto rebanador (fino, grueso)
 - (ii) Insertos ralladores (fino, grueso)
 - (iii) Inserto para juliana
 - k Disco para patatas fritas

Limpie todas las piezas antes de usarla por primera vez – consulte «Cuidado y limpieza».

Lámpara piloto

La lámpara piloto (1) muestra el estado del aparato, cuando está conectado a un tomacorriente.

Lámpara piloto	Aparato/Estado de operación
Parpadeando en rojo	El aparato está listo para usarse.
Verde continuo	El aparato está liberado (se ha pulsado el botón de liberación del interruptor) y se puede encender.
Rojo continuo	Aviso temprano de sobrecalentamiento. El motor desacelera, poco a poco, hasta detenerse. Espere a que se enfríe. Estará listo para usar de nuevo cuando el piloto parpadee en rojo.

Si la velocidad máxima disminuye con carga alta y funcionamiento prolongado, puede terminar su preparación igualmente, siempre y cuando deje enfriar después el aparato.

Cómo usar el aparato

Interruptor inteligente de velocidad para velocidades variables

Un apretón, todas las velocidades. Entre más pulse, mayor será la velocidad. Cuanto mayor sea la velocidad, más rápidos y más finos serán los resultados de mezclado y picado.

Operación con una mano: el interruptor inteligente de velocidad (3) le permite encender el aparato y controlar la velocidad con una mano.

Operación de su batidora de mano

Primer uso: Quite el bloqueo de transporte del cuerpo del motor (4) tirando de la cinta roja.

Encendido (A)

El aparato viene equipado con un botón de desbloqueo para liberar el interruptor de velocidad inteligente. Para encenderlo, siga estos puntos:

- Presione el botón de desbloqueo (2) con el pulgar. La luz piloto se encenderá en verde continuo.
- Inmediatamente pulse el interruptor inteligente de velocidad y ajústelo a la velocidad deseada.
NOTA: Si no se pulsa el interruptor inteligente de velocidad en un plazo de 5 segundos, el aparato

no se puede encender por motivos de seguridad. La luz piloto se parpadeará en rojo. Para encender el aparato, comience nuevamente con el primer paso.

- Durante la operación no tiene que mantener pulsado el botón de desbloqueo.

Brazo ActiveBlade (B)

La batidora de mano está equipada con un brazo ActiveBlade que permite extender la cuchilla hasta el fondo de la campana. El ajuste se realiza automáticamente según la presión requerida para las funciones de mezclado, y es especialmente apropiado para mezclar alimentos duros, como frutas y verduras crudas.

También es ideal para preparar dips, salsas, aliños para ensalada, sopas y comida de bebé, así como bebidas y todo tipo de batidos.

Para obtener los mejores resultados, utilice la velocidad más alta.

Ensamblado y funcionamiento

- Encaje el brazo ActiveBlade (6) en el cuerpo motor hasta que haga clic.
- Coloque el brazo ActiveBlade en la mezcla a trabajar. Encienda entonces el aparato como se describe más arriba.
- Mezcle los ingredientes hasta alcanzar la consistencia adecuada con un suave movimiento ascendente y descendente. Dependiendo de la presión aplicada, el brazo ActiveBlade se presiona y la cuchilla se extiende.
- Después del uso, desenchufe la batidora de mano y presione los botones de liberación (5) para desacoplar el brazo ActiveBlade.

Precaución

- Para facilitar su limpieza, los líquidos o los ingredientes no deben sobrepasar la línea verde del eje de ActiveBlade.
- Si utiliza el aparato para hacer puré con comida caliente en un cazo o una olla, retire el cazo u olla de la fuente de calor y asegúrese de que el líquido no esté hirviendo. Deje que la comida caliente se enfríe ligeramente para evitar el riesgo de quemaduras.
- No deje que la batidora de mano se quede en una sartén caliente sobre la estufa cuando no esté usándose.
- Evite rayar el fondo de cazuelas y ollas con el brazo ActiveBlade.

Ejemplo de receta: Mayonesa

1.25 tazas / 250 g de aceite (por ej., aceite de girasol)
1 huevo y 1 yema de huevo adicional
1-2 cucharadas de vinagre

Sal y pimienta al gusto

- Coloque todos los ingredientes (a temperatura ambiente) en el vaso en el orden indicado arriba.

- Coloque la batidora de mano en el fondo del vaso. Mezcle a la máxima velocidad hasta que el aceite empiece a emulsionarse.
- Con la batidora de mano aún funcionando, suba lentamente la varilla a la parte superior de la mezcla y nuevamente hacia abajo para incorporar el resto del aceite.

NOTA: Tiempo de procesado: aprox. 1 minuto para ensaladas y hasta 2 minutos para una mayonesa más espesa (por ej., para un dip).

Accesorio batidor (B)

Utilice el accesorio batidor sólo para montar nata, batir claras de huevo, hacer bizcochos y postres premezclados.

Ensamblado y funcionamiento

- Instale el batidor (8b) en la caja de engranajes (8a).
- Alinee el cuerpo del motor con el accesorio batidor montado y junte las piezas hasta que encajen.
- Después de usarla, desconecte y presione los botones de liberación EasyClick para separar el cuerpo del motor. Luego saque el batidor de la caja de engranajes.

Sugerencias para obtener los mejores resultados

- Mueva el batidor en sentido horario mientras lo sostiene con una leve inclinación.
- Para evitar salpicaduras, empiece despacio y use el accesorio batidor en el caso de cazuelas o recipientes profundos.
- Coloque el batidor en un recipiente y sólo entonces encienda el aparato.
- Siempre asegúrese de que el batidor y el recipiente de mezclado estén completamente limpios y libres de grasa antes de batir las claras de huevo. Sólo bata hasta 4 claras de huevo.

Ejemplo de receta: Nata montada

1.8 tazas / 400 ml de nata fría (min. 30% contenido en grasas, 4 - 8 °C / 39,2 - 46,4 F)

- Comience con una baja velocidad (presión ligera sobre el interruptor) y aumentela (más presión en el interruptor) mientras bate.
- Siempre use crema fresca refrigerada para lograr un volumen mayor y más estable al batir.

Accesorio de pasapurés (C)

El accesorio para puré puede usarse para triturar frutas y verduras cocidas, como patatas, boniatos, tomates, ciruelas y manzanas.

Antes de usarlo

- No triture alimentos duros o crudos, ya que podría dañar la unidad.
- Pele las piezas y retire los huesos o partes duras; cueza y escurra las frutas o verduras antes de triturarlas.

Ensamblado y funcionamiento

- Ajuste la caja de engranajes (9a) a la varilla (9b) girando en sentido horario hasta que se bloquee en su sitio.
- Gire de cabeza el accesorio de pasapurés y coloque la paleta (9c) sobre el eje central y gírela en sentido antihorario para ubicarla. (Si la caja de engranajes no está ajustada correctamente, la pala no se fijará en su lugar).
- Alinee el accesorio de pasapurés ensamblado con el cuerpo del motor y una las dos piezas hasta que encajen. Enchúfelo.
- Sumerja el accesorio de pasapurés en los ingredientes y encienda el aparato.
- Con un suave movimiento hacia arriba y hacia abajo, mueva el accesorio de pasapurés a través de los ingredientes hasta lograr la textura deseada.
- Suelte el interruptor inteligente de velocidad y asegúrese de que el accesorio de pasapurés se haya detenido completamente antes de sacarlo de los alimentos.
- Después de usarlo, desconecte el aparato. Quite la pala (9c) girándolo en sentido horario.
- Pulse los botones de liberación EasyClick para separar el accesorio de pasapurés del cuerpo del motor. Separe la caja de engranajes del eje girando en sentido antihorario.

Precaución

- Nunca use el accesorio de pasapurés en un cazo sobre el fuego directo.
- Siempre retire el cazo del fuego y deje que se enfríe un poco.
- Asiente el cazo o recipiente en una superficie estable y plana, y sosténgalo con su mano libre.
- No golpee el accesorio de pasapurés en el lado del recipiente de cocción durante el uso o después de él. Use una espátula para quitar el exceso de comida raspando.
- Para obtener mejores resultados al hacer puré, nunca llene con alimentos más de la mitad un cazo o recipiente.
- No procese más de un lote sin interrupción.
- Deje que el aparato se enfríe durante 4 minutos antes de continuar el procesamiento.

Ejemplo de receta: Puré de patatas

2.2 lb / 1 kg patatas cocidas

7 fl. oz. / 200 ml leche tibia

- Coloque las patatas en un recipiente y hágalas puré durante 20 - 30 segundos (3/4 del camino en el interruptor inteligente de velocidad)
- Añada la leche. Siga haciendo puré durante otros 20 - 30 segundos.

Accesorio picador (D)

Los picadores (10/11) están perfectamente adaptados para cortar queso, cebolla, condimentos, ajo, verduras, pan, galletas y nueces duros.

Use la picadora «hc» (10) para el picado fino.

Tiempo de funcionamiento máximo y capacidad del picador «hc»: Para ingredientes blandos y húmedos llene el recipiente como máximo hasta la mitad, con un tiempo de funcionamiento máximo de 2 minutos. Para ingredientes duros o secos llene el recipiente como máximo con 100 g (3.5 oz), con un tiempo de funcionamiento máximo de 30 segundos.

Deje de procesar inmediatamente en cuanto disminuya la velocidad del motor y/o se produzcan fuertes vibraciones.

Use las picadoras «bc» (11) para grandes cantidades y alimentos duros.

Además, el picador «bc» ofrece una amplia variedad de otras aplicaciones como batidos, bebidas, purés, masa, carne o hielo picado.

La cantidad necesaria para procesar líquidos no debe sobrepasar 2/3 del recipiente de trabajo. Para obtener mejores resultados en el procesamiento de alimentos duros llene el recipiente como máximo con 300 g (10.5 oz). Para picar hielo utilice como máximo 6 cubitos.

Consulte la Guía de procesamiento D para determinar las cantidades máximas y las velocidades recomendadas.

Antes de usarlo

- Corte previamente los alimentos en trozos pequeños para facilitar el picado.
- Retire los huesos, tendones y cartílagos de la carne para ayudar a prevenir daños a las cuchillas.
- Asegúrese de que el anillo de goma antideslizante (10d) esté fijo en la parte inferior del recipiente picador.

Ensamblado y funcionamiento

- Quite con cuidado la cubierta de plástico de la cuchilla.
- ¡La cuchilla (10b/11b/11c) es muy afilada! Siempre sujétela por la parte superior de plástico y manéjela con cuidado.
- Coloque la cuchilla en el eje central del recipiente picador (10c/11d). Oprímalo hacia abajo y gírelo de modo que encaje en su lugar.
- Llene la picadora con comida y ponga la tapa (10a/11a).
- Alinee la picadora con el cuerpo del motor (4) y encájelos.
- Para accionar la picadora, encienda el aparato. Durante el procesado, sostenga el cuerpo del motor con una mano y la picadora con la otra.
- Siempre pique los alimentos más duros (por ejemplo, el queso parmesano) a máxima velocidad.
- Cuando termine de picar, desenchufe y pulse los botones de liberación EasyClick (5) para separar el cuerpo del motor.

- Levante la tapa. Saque cuidadosamente la cuchilla antes de verter el contenido del recipiente. Para quitar la cuchilla, gírela ligeramente y tire de ella.

Precaución

- El picador «hc» no es adecuado para procesar carne.
- No utilice los accesorios de picadora (10/11) con cuchillas de picar para procesar alimentos extremadamente duros, como nueces con cáscara, cubitos de hielo, granos de café y otros granos o especias duras como la nuez moscada. El procesamiento de estos alimentos podría dañar las cuchillas.
- Para picar cubitos de hielo solo es apto el accesorio de picadora (11) con la cuchilla especial para hielo.
- Nunca coloque el recipiente picador en el horno de microondas.

Accesorio de procesado de alimentos

El accesorio de procesado de alimentos (12) se puede usar para:

- Picar, batir y mezclar masas ligeras;
- amasar (masas con 250 g de harina máx.);
- cortar rodajas, en tiras, en juliana y patatas fritas.

Picar (E)

Usando la cuchilla (12h) puede picar carne, queso duro, cebollas, hierbas, ajo, verduras, pan, galletas y frutos secos.

La cantidad necesaria para procesar líquidos no debe sobrepasar 1/2 del recipiente de trabajo. Para obtener mejores resultados en el procesamiento de alimentos duros llene el recipiente como máximo con 400 g (14 oz).

Consulte la Guía de procesamiento D para determinar las cantidades máximas y las velocidades recomendadas.

Antes de usarlo

- Corte previamente los alimentos en trozos pequeños para facilitar el picado.
- Retire los huesos, tendones y fibra de la carne para ayudar a evitarle daños a las cuchillas.
- Retire los tallos de las hierbas y las cáscaras de nueces.
- Asegúrese de que el anillo de goma antideslizante (12g) esté fijo en la parte inferior del recipiente procesador.

Ensamblado y funcionamiento

- Quite con cuidado la cubierta de plástico de la cuchilla.

26

- La cuchilla (12h) es muy afilada. Siempre sujétela por la parte superior de plástico y manéjela con cuidado.
- Coloque la cuchilla en el eje central del recipiente (12f). Oprímalo hacia abajo y gírelo de modo que encaje en su lugar.
- Llene el recipiente con los alimentos. Coloque la tapa (12a) en el recipiente con el enganche (12e) posicionado a la derecha del asa y haga coincidir las marcas.
- Cierre la tapa, girándola en el sentido de las agujas del reloj hasta que encaje con un clic.
- Inserte el cuerpo del motor en el acoplamiento (12b) hasta que encaje.
- Enchufe el aparato e inserte el empujador (12c) en el tubo de alimentación (12d).
- Para manejar el procesador de comida, encienda el aparato. Durante el procesamiento, sujete el cuerpo motor con una mano y el recipiente del procesador de comida por el asa.
- Cuando termine de picar, desenchufe y pulse los botones de liberación EasyClick para separar el cuerpo del motor.
- Presione el enganche (12e) de la tapa y sujételo. Gire la tapa (12a) en el sentido contrario a las agujas del reloj para desengancharla.
- Levante la tapa. Retire la cuchilla cuidadosamente antes de vaciar el contenido del recipiente. Para retirar y desbloquear la cuchilla, gírela levemente antes de extraerla.

Precaución

- No use el accesorio procesador de alimentos para picar alimentos extremadamente duros, como frutos secos con cáscara, cubitos de hielo, granos de café, cereales o especias duras, por ejemplo la nuez moscada. El procesamiento de estos alimentos puede dañar las cuchillas.
- Nunca coloque el recipiente del procesador de alimentos en el horno de microondas.

Con la cuchilla (12h) también pueden prepararse masas ligeras como masa de tortitas, con un máximo de 250 g de harina.

Ejemplo de receta: Masa para tortitas

1.5 tazas / 375 ml de leche
2 tazas / 250 g harina común
2 huevos

- Vierta la leche en el recipiente, luego añada la harina y, por último, los huevos.
- Usando la máxima velocidad, mezcle la masa hasta que esté suave.

Cortar rodajas / tiras / juliana / patatas fritas (F)

Utilice el accesorio para cortar rodajas finas y gruesas (i) de frutas y verduras crudas, como pepinos, cebollas, champiñones, manzanas, zanahorias, rábanos, patatas, calabacines o col.

Utilice los insertos para rallado fino y grueso (ii) para rallar alimentos como manzanas, zanahorias,

patatas, remolacha, col, queso duro (como el queso parmesano).

Utilice el accesorio de juliana (iii) para cortar frutas y verduras en juliana.

Para obtener mejores resultados, la cantidad de alimentos procesados no debe sobrepasar 1/2 del recipiente de trabajo.

Utilice el disco de patatas fritas (12j) para prepararlas.

Consulte las velocidades recomendadas en la Guía de procesamiento F.

Ensamblado y funcionamiento

- Para cortar en rodajas / tiras / juliana coloque un accesorio en el soporte de accesorios (12i) y encájelo bien. Coloque el soporte de accesorios montado o el disco para patatas fritas en la espiga central del recipiente y gírelo hasta que encaje en su sitio.
- Coloque la tapa en el recipiente con el enganche posicionado a la derecha del asa.
- Cierre la tapa, girándola en el sentido de las agujas del reloj hasta que encaje con un clic.
- Inserte el cuerpo motor en el acoplamiento hasta que encaje.
- Enchufe el aparato e introduzca los alimentos a procesar en el tubo de alimentación.
- Para conseguir las mejores patatas fritas, coloque 3 o 4 patatas (dependiendo del tamaño) en el tubo de alimentación de la tapa mientras el motor está apagado.
- Encienda el aparato para procesar. No introduzca nunca la mano en el tubo de alimentación con el aparato encendido. Emplee siempre el empujador para añadir la comida.
- Después del uso, desenchufe el aparato y presione los botones de liberación para desacoplar el cuerpo motor.
- Presione el enganche de la tapa y sujételo. Gire la tapa en el sentido contrario a las agujas del reloj para desengancharla.
- Levante la tapa. Retire el soporte de accesorios o el disco para patatas fritas cuidadosamente antes de vaciar el contenido del recipiente. Para retirar el soporte de accesorios o el disco para patatas fritas, gírelo levemente y extráigalo.
- Para retirar un accesorio, levántelo por el extremo que sobresale en el fondo del soporte para accesorios.

- No sumerja el cuerpo del motor (4) o las cajas de engranajes (8a, 9a) en agua u otro líquido. Límpiela sólo con un paño seco.
- La tapa (11a/12a) puede limpiarse bajo el chorro del grifo. No la sumerja en agua ni la lave en el lavavajillas. .
- Todas las demás piezas pueden lavarse en un lavavajillas. No use limpiadores abrasivos que pudieran arañar la superficie.
- Puede quitar los anillos de goma antideslizantes de la parte inferior de los recipientes para una limpieza extra exhaustiva.
- Cuando procese alimentos con alto contenido en pigmentos (por ej. zanahorias), los accesorios se pueden decolorar. Pase un paño con aceite vegetal sobre estas piezas antes de limpiarlas.

Tanto las especificaciones de diseño del producto como estas instrucciones para el usuario están sujetas a cambios sin aviso.

La licuadora podrá depositarse en un Centro de Servicio Técnico Braun o en los correspondientes puntos de recogida que existan en su país.

Cuidado y limpieza (G)

- Siempre limpie bien la batidora de mano después de usarla.
- Desenchufe la batidora de mano antes de limpiarla.

